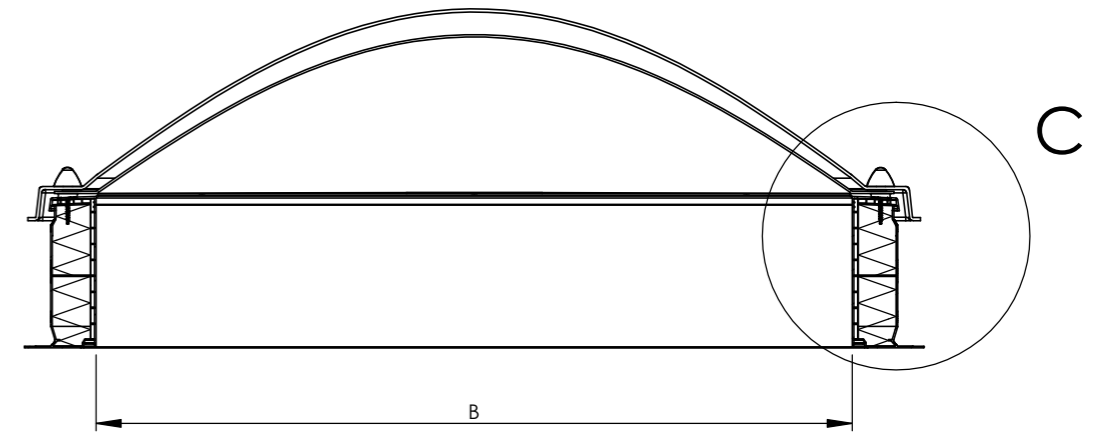
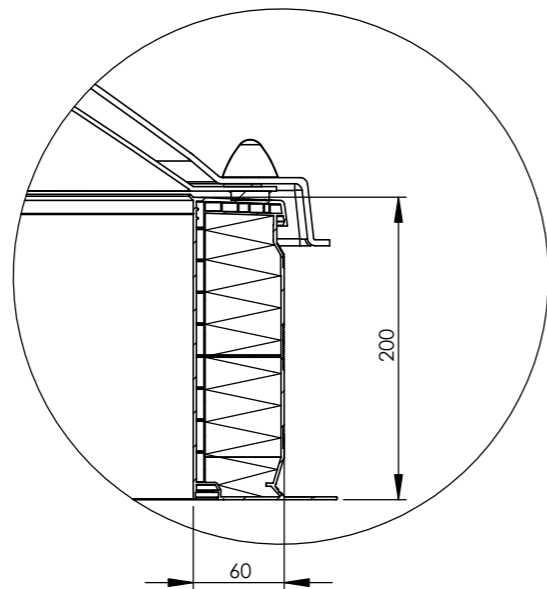
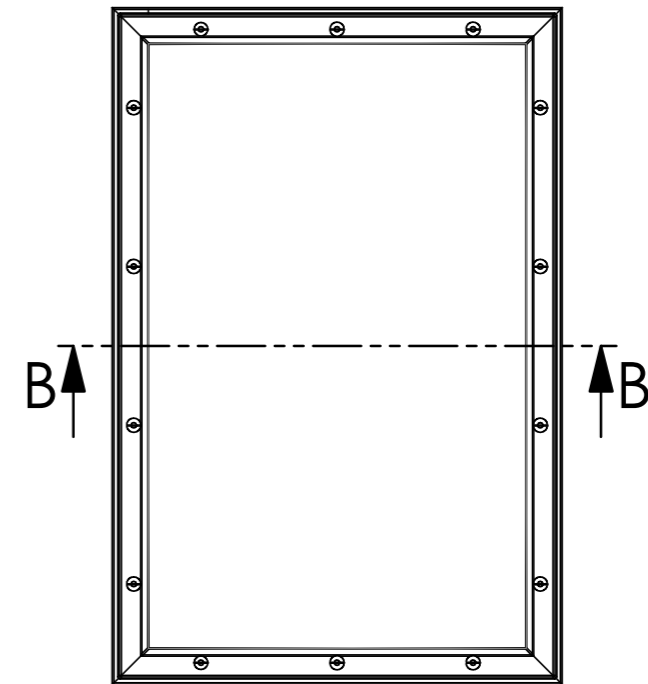
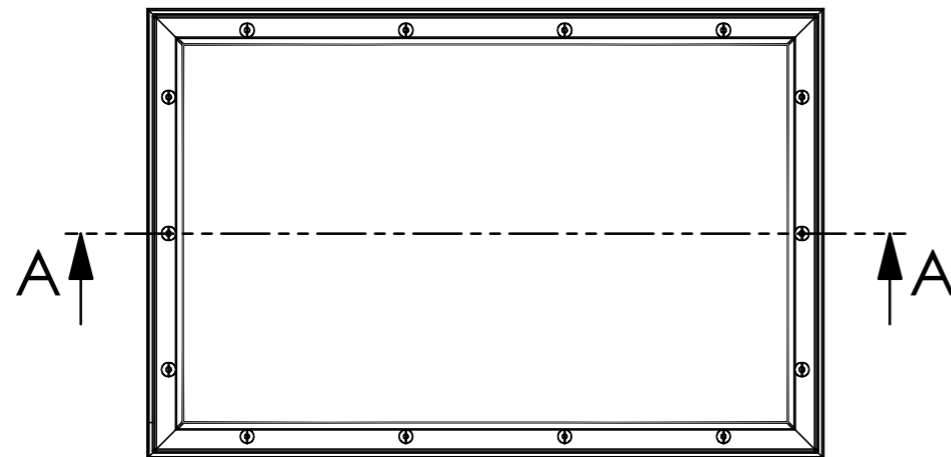


SECTION A-A SCALE 1:10



SECTION B-B SCALE 1:10



DETAIL C
SCALE 1 : 5

Lacquered Surface:

Material			
Density	kg/m ³		
Mass	kg		
Anodisation Surface	mm ²		
Revision	A	File name	
State	In Work	Title Skylux 2W spherical shaped dome with pvc curb 20/00 EP	
Designer			
Date Created	8/10/2019	Artn°	Ext. Artn° RD0109709
Tolerances		Last modification on 2019-10-08 BY Christophe Van De	
		Scale	1:20
		Format	A3
		Sheet	1/1